



GSE POWER
BATTERIES AND ENERGY STORAGE

Wall Mounted LiFePO4 Battery

TKPW 200/240/500/800/1000



Smart BMS
Big Power 200A Smart BMS



Remote Monitoring
Self-developed APP



>6000
Cycle Life@25°C



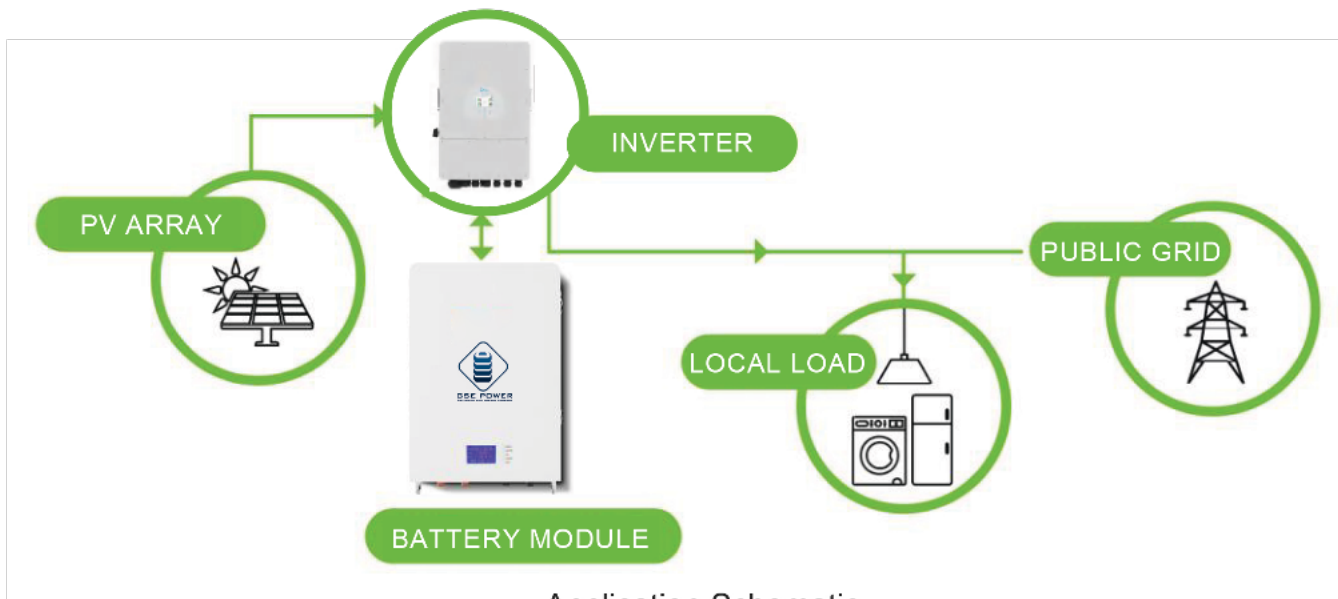
Interactive Touch Screen
Inverter communication:
touch screen to choose



Full Bracket Design
Full space for each
cell's best performance



Parallel
Max Support 32 Parallels



Application Schematic



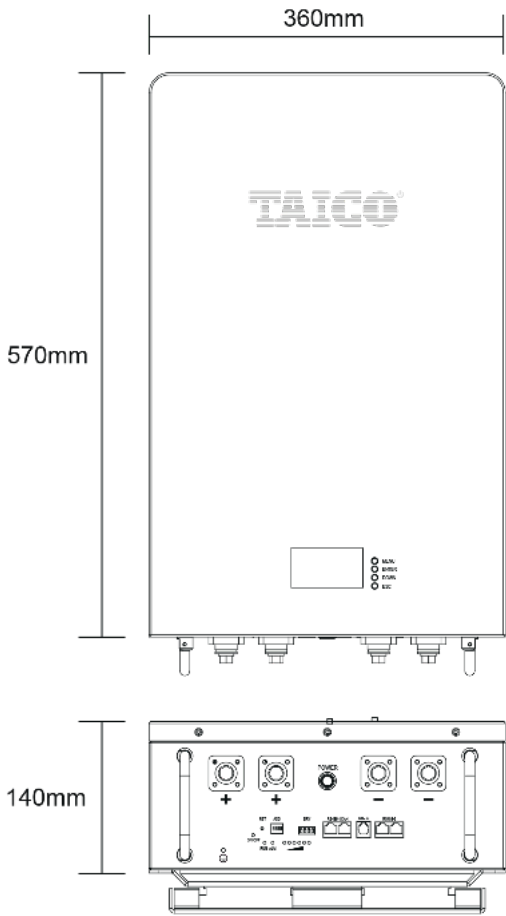
<http://www.gur-shifer.com>



sales@gur-shifer.com



2D Engineering Size and Internal Structure



Prismatic Cells in Grade A Brand New

Stainless Steel Protection Frame



LCD Display
(Real-time monitoring for All datas)

Intelligent BMS (Customizable with WiFi)

Compatible Inverter Brands and Intergrated Cells Brands

Function Parameter

Product number	TKPW2000	TKPW2400	TKPW5000	TKPW7500	TKPW8000	TKPW10000
Norminal Battery Energy	2.56KWH	5.12KWH	5.12KWH	7.68KWH	8.96KWH	10.24KWH
Norminal Capacity	100Ah	200AH	100Ah	150AH	175AH	200Ah
Norminal Voltage	25.6V		51.2V			
Dimensions(mm)	570x360x140	570x360x140	570x360x140	860x540x160	860x540x160	600x420x240
Internal Resistance	≤30mΩ					
Cycle Life	>6000					
Months Self Discharge	<3%					
Charge Data						
DC Normal Charge Voltage	29.2+1Vdc	29.2+1Vdc	58.4±1Vdc			
Charge Mode	0.2C to 58.4V, then 58.4V,charge current to 0.02C (CC/CV)					
Recommended Charger Curren	≤50A					
Allowed Max. Charge Current	50A					
Charge Cut-off Voltage	29.2+1Vdc		58.4±1Vdc			
Discharge Data						
Continuous Discharge Current	50A	50A	50A	50A	50A	50A
Allowed Max. discharge current	100A	100A	100A	100A	100A	100A
Discharge cut-off voltage	20V	20V	40V	40V	40V	40V
Working Condition						
Charge Temperature	0°C to 45°C(32°F to113°F)					
Discharge Temperature	-20°C to 60°C(-4°F to 140°F)					
Storage Temperature	0°C to 40°C(32°F to 104°F)					
Enclosure Protection Level	IP54					
Mechanical Data						
Cell&Capacity	LiFePO4 Battery					
Shell material	Iron shell					

